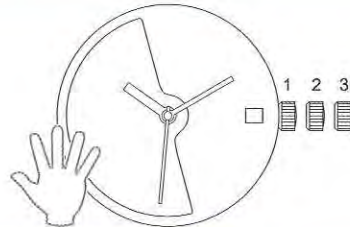


**TECHNICAL
INFORMATION**
CLARO CL-888 11¹/₂" (SWISS MADE)
**T.I.
04-01** P.1

**11¹/₂"
Ø25,60 mm**

Height 5,73 mm


 Running time
Number of jewels
Frequency

 ≅ 36
18
21'600A/h

Technical specification
1. Shape and type

- Round caliber, Mechanical lever movement, self-winding mechanism with ball bearing.
- 21'600 vibrations per hour
- Prepared for shock-absorber device.

2. Dimensions in mm

- Overall diameter : 26.00
- Case fitting diameter : 25.60
- Movement height : 5.73

3. Functions

- Display by means of hands : hours, minutes, seconds
- CL-888 with instantaneous date, date corrector.

4. Corrections

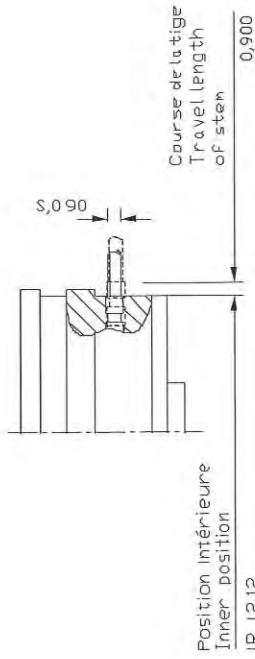
- By means of a winding stem with 3 positions :
- Pos.1 : Running position, Manual winding
- Pos. 2 : Quick correction of date
- Pos. 3 : Time setting, stop-second

5. Principle of construction

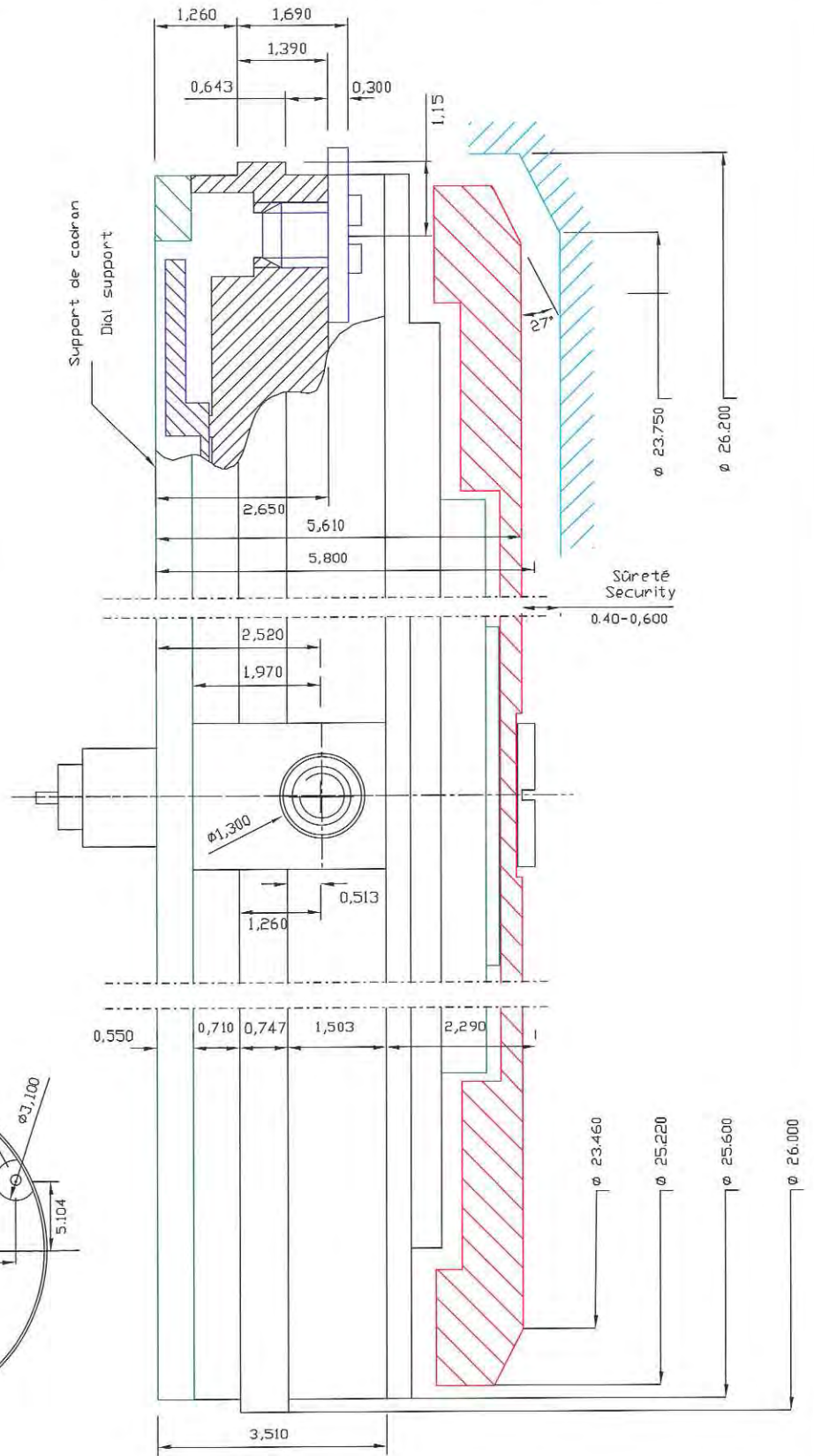
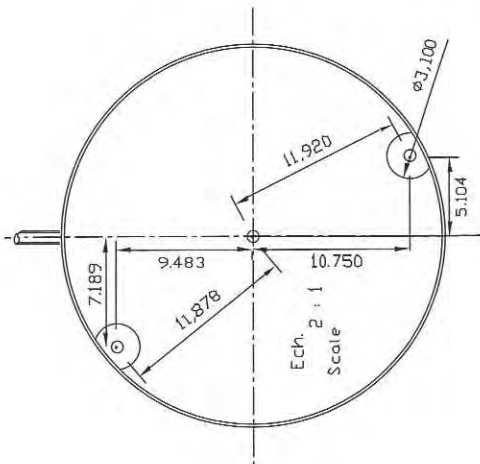
- Main plate and bridges made of brass. Oscillating weight of heavy metal with ball bearing.
- Manual winding + Self-winding mechanism

6. Casing

- The dial is fixed by means of 2 dial fasteners.



Sécurité minimale
entre aiguille
de seconde e
glace 0,40
Min. security
between
second hand
and glass: 0,40



Cal. CL-888

Dim. en mm
Dim. in mm

Tol. en 1/1000
Tol. in 1/1000

Cage pour boîte
Frame for case

Echelle
Scale

Dessiné
Drawn

C.C.

08.12.04

Modif

C.C.

11.11.05

10 : 1

Modif

C.C.

02.05.06

Modif

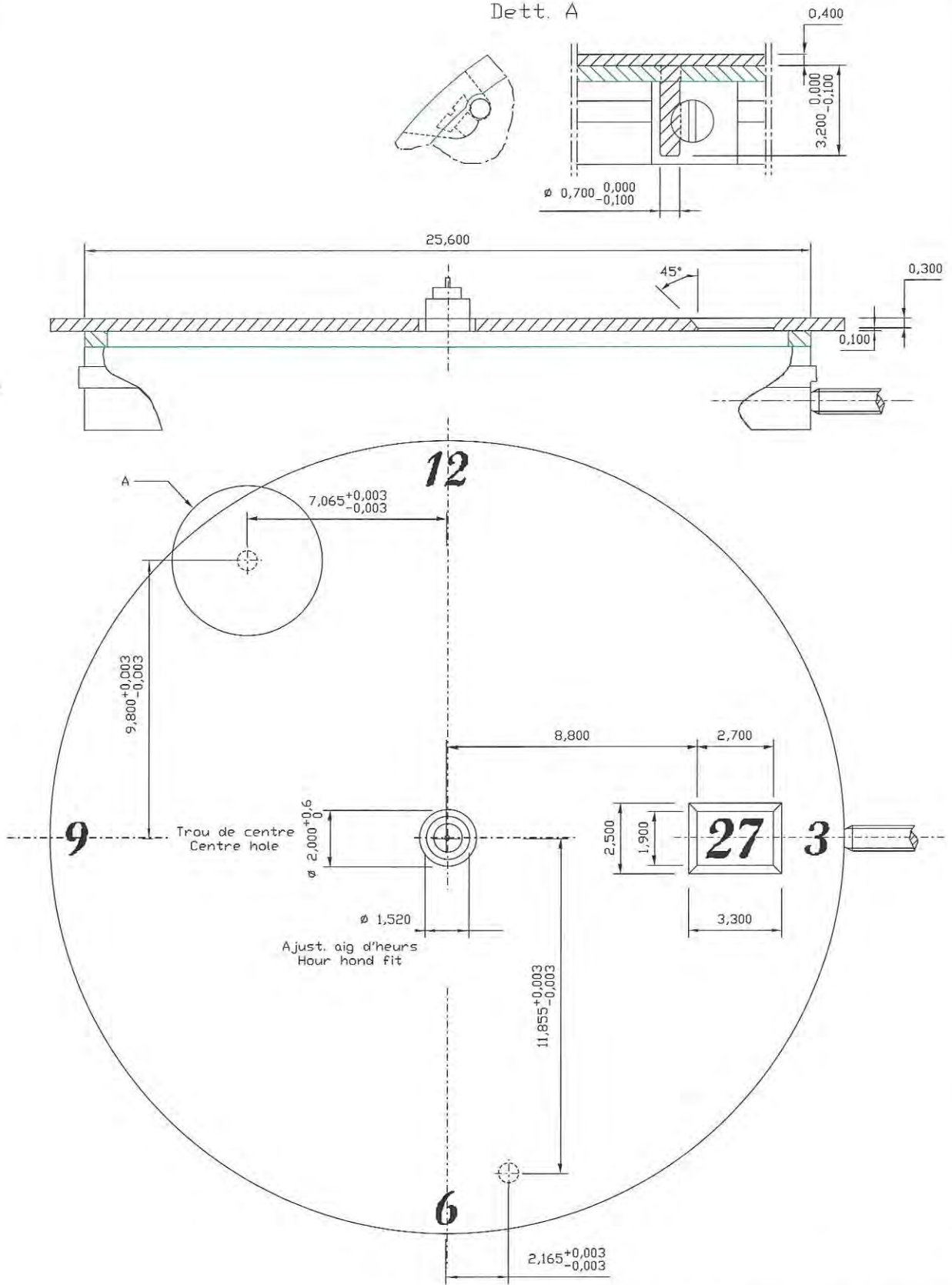
C.C.

03.03.08



N.
88800003

Dett. A



Cal. CL-888

Dim. en mm
Dim. in mm

Tol. en 1/1000
Tol. in 1/1000

Indications pour cadran
Indications for dial

Echelle
Scale

5 : 1

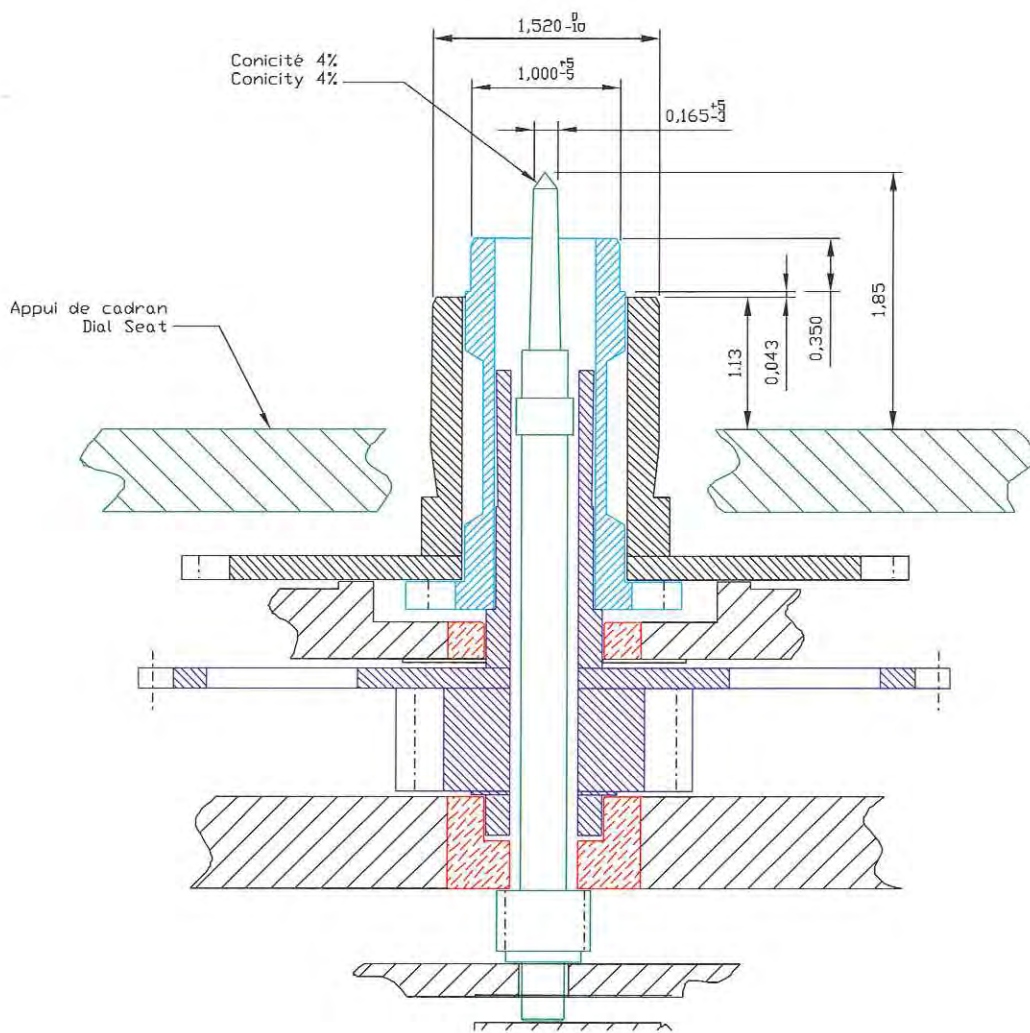
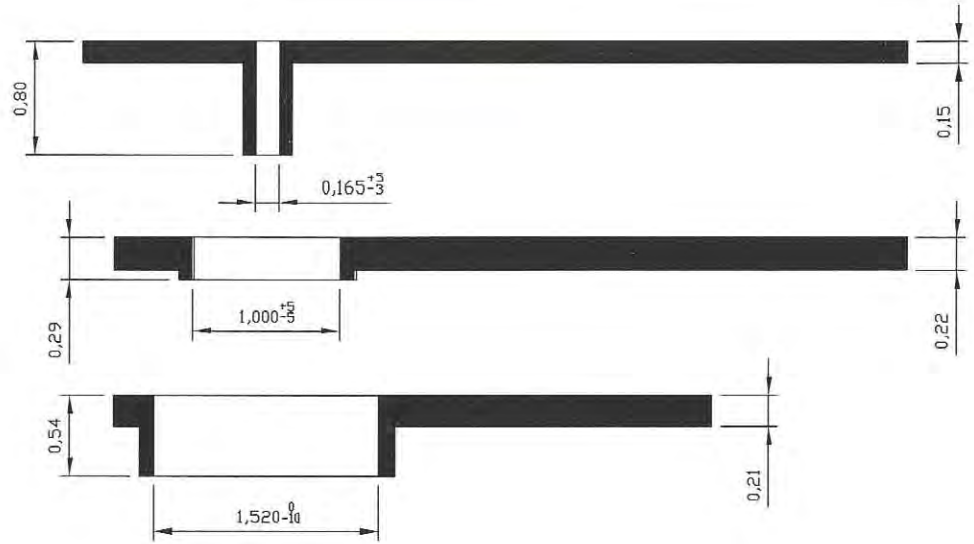
Dessiné
Drawn C.C. 22.11.04

Modif C.C. 11.11.05

Modif C.C. 03.03.08



N.
88800001



Cal. CL-888

Masse in mm
Dim. in mm

Tol. in 1/1000
Tot. in 1/1000

Aguillage
hand fitting heights

Echelle
Scala

Dis.

C.C

04.12.04

Modif.

C.C

11.11.05

20 : 1

Modif.

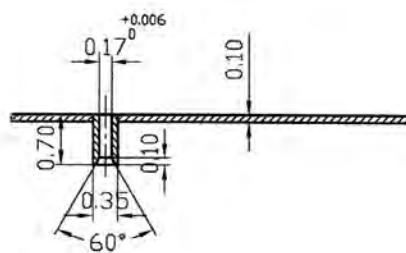
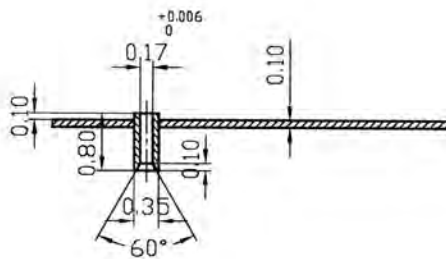
C.C

10.01.06



N.

88800002



* HAND FIXING FORCE MUST NOT EXCEED 20N(2.0Kgs)

	Aiguille des sec. Sekundenzeiger Second hand
ép. aiguille Zeigerdicke hand thicknes	0.10mm
balourd Unwucht unbalance	$\leq 0.40\mu\text{Nm}$
masse Masse weight	$\leq 10\text{mg}$

	Cal. CL-888	Dim en mm Dim in mm	Tol. en 1/1000 Tol. in 1/1000
SECOND HAND-CL-888	Echelle Scale 10:1	DRAWN	C.C
		Modif.	
		N. 88800004	